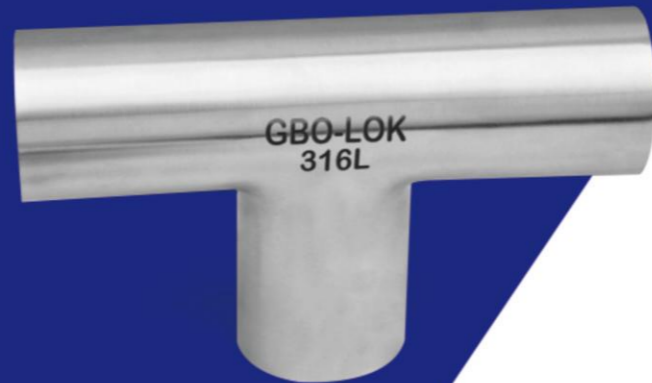
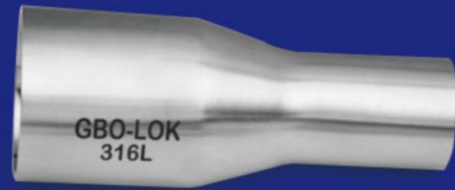


# Sanitary Grade Fittings

**GBO.LOK®**

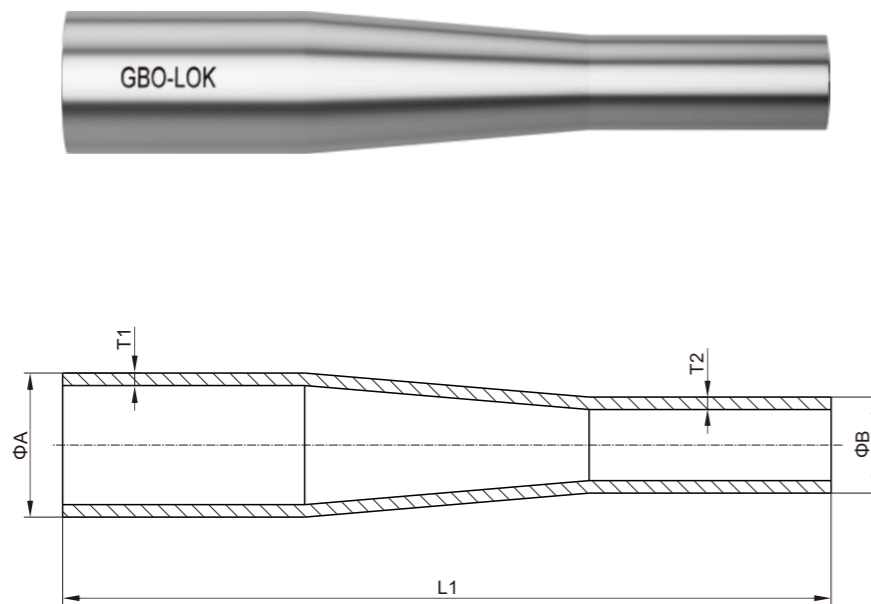


## Sanitary grade fittings

### Feature

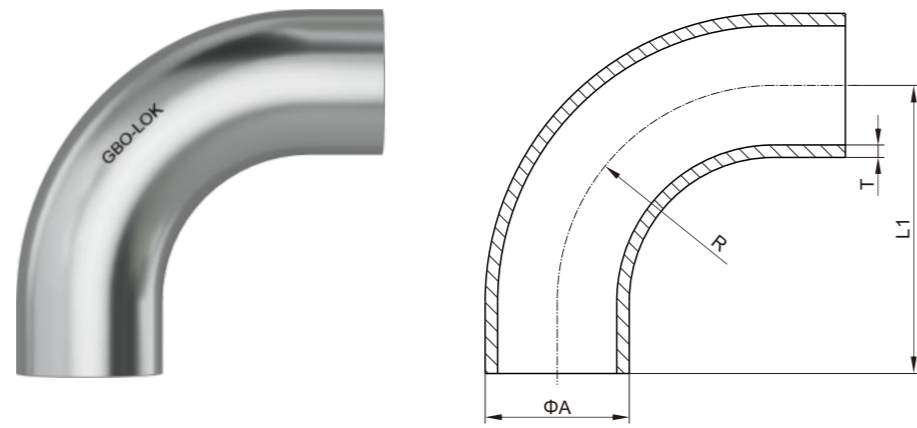
1. 316L stainless steel material;
2. Multiple structural types to choose from;
3. Multiple sizes to meet customer needs;
4. All belong to seamless steel pipes.

### Extended concentric small head



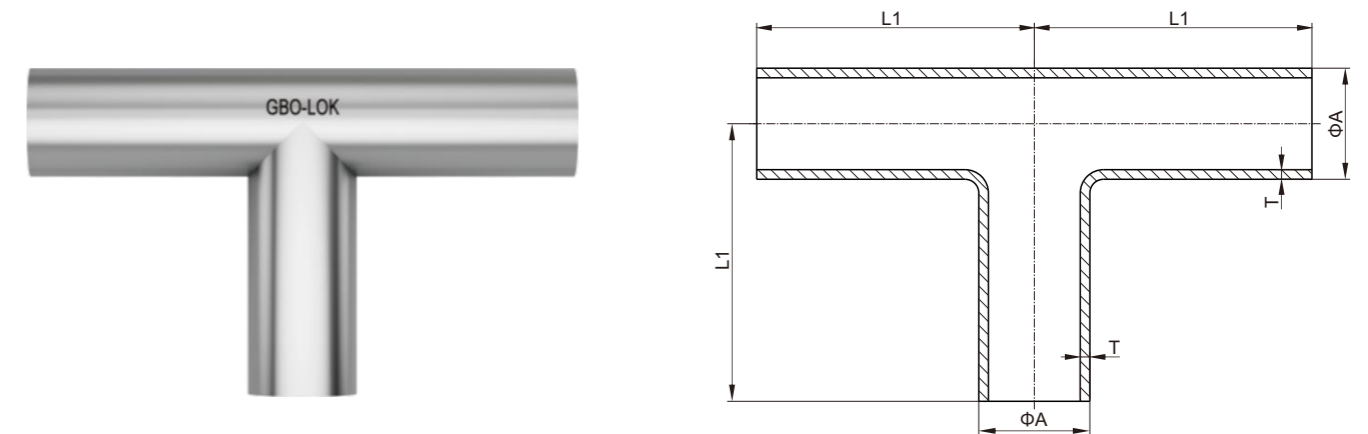
Model	size (mm)			
	AxB	L1	T1	T2
1/2"x1/4"	12.7x6.35	101.6	1.65	1.65
1/2"x3/8"	12.7x9.53	101.6	1.65	1.65
3/4"x3/8"	19.1x9.53	101.6	1.65	1.65
3/4"x1/2"	19.1x12.7	101.6	1.65	1.65
1"x3/8"	25.4x9.53	114.3	1.65	1.65
1"x1/2"	25.4x12.7	114.3	1.65	1.65
1"x3/4"	25.4x19.1	101.6	1.65	1.65
1.5"x1/2"	38.1x12.7	139.7	1.65	1.65
1.5"x3/4"	38.1x19.1	127	1.65	1.65
1.5"x1"	38.1x25.4	127	1.65	1.65
2"x1/2"	50.8x12.7	196.9	1.65	1.65
2"x3/4"	50.8x19.1	184.2	1.65	1.65
2"x1"	50.8x25.4	184.2	1.65	1.65
2"x1.5"	50.8x38.1	133.4	1.65	1.65
2.5"x1/2"	63.5x12.7	247.7	1.65	1.65
2.5"x3/4"	63.5x19.1	235	1.65	1.65
2.5"x1"	63.5x25.4	235	1.65	1.65
2.5"x1.5"	63.5x38.1	184.2	1.65	1.65
2.5"x2"	63.5x50.8	139.7	1.65	1.65
3"x1/2"	76.2x12.7	298.5	1.65	1.65
3"x1"	76.2x25.4	285.8	1.65	1.65
3"x1.5"	76.2x38.1	235	1.65	1.65
3"x2"	76.2x50.8	190.5	1.65	1.65
3"x2.5"	76.2x63.5	139.7	1.65	1.65
4"x1"	101.6x25.4	393.7	2.1	2.1
4"x1.5"	101.6x38.1	342.9	2.1	2.1
4"x2"	101.6x50.8	298.5	2.1	2.1
4"x2.5"	101.6x63.5	247.7	2.1	2.1
4"x3"	101.6x76.2	196.9	2.1	2.1
6"x4"	152.4x101.6	254	2.77	2.77

**90°Extended welded elbow**



Model	size (mm)			
	A	R	L1	T
1/2"	12.7	19.1	25.4	1.65
3/4"	19.1	28.6	38.1	1.65
1"	25.4	38.1	52.4	1.65
1-1/4"	31.8	47.7	69.7	1.65
1-1/2"	38.1	57.2	74.6	1.65
2"	50.8	76.2	103.2	1.65
2-1/2"	63.5	95.3	131.8	1.65
3"	76.2	114.3	160.3	1.65
4"	101.6	152.4	211.1	2.1
6"	152.4	228.6	292.1	2.8
8"	203.2	228.6	304.8	2.8

**Extended welded tee**



Model	size (mm)		
	A	L1	T
1/2"	12.7	47.6	1.65
3/4"	19.1	47.6	1.65
1"	25.4	47.6	1.65
1-1/4"	31.8	55	1.65
1-1/2"	38.1	57.2	1.65
2"	50.8	76.2	1.65
2-1/2"	63.5	76.2	1.65
3"	76.2	82.6	1.65
4"	101.6	98.4	2.1
6"	152.4	143	2.8
8"	203.2	178	2.8
10"	254	216	2.8